

Boot and clog drying panel



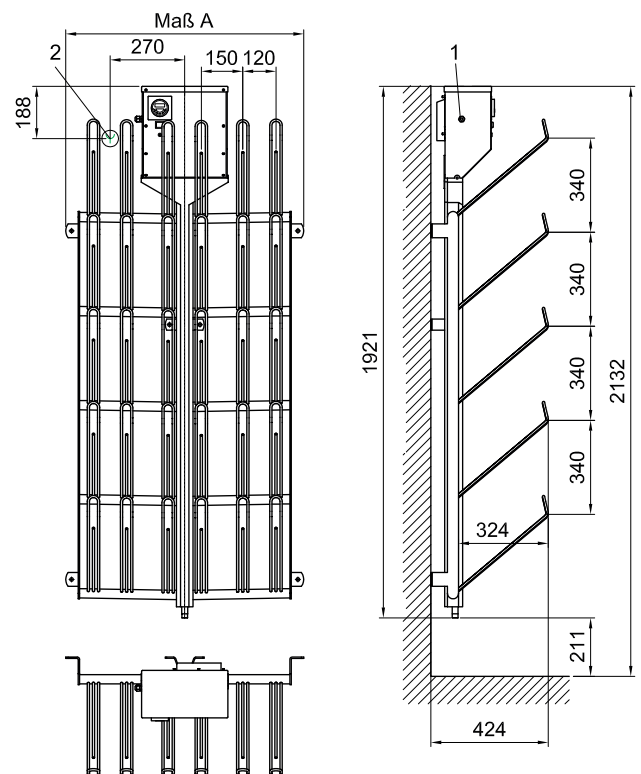
Healthy, dry feet

- Combined boot, shoe and clog drying panel
- Optionally with ozone disinfection
- The digital timer allows programming of 16 shifting times and a separate weekly shifting time
- Short drying times due to specific supply of warm air
- Prevents diseases and reduces the formation of unpleasant odors
- Increases the well-being of the employees
- No chemicals required
- Capacity: 5-50 pairs

Technical data

Type	Boot and clog drying panel
Power supply	230V, PE
Mains frequency	50-60 Hz
Power consumption	0.85 kW
Conductor cross-section	3x1.5 mm

Technical data may be subject to changes



Contact

CN: shanghai@frontmatec.com
Phone: +86 215 859 4850

DK: kolding@frontmatec.com
Phone: +45 763 427 00

NL: rijssen@frontmatec.com
Phone: +31 886 294 000

UK: birmingham@frontmatec.com
Phone: +44 121 313 3564

itec-hygiene.com
frontmatec.com

DE: hygiene@frontmatec.com
Phone: +49 252 185 070

ES: barcelona@frontmatec.com
Phone: +34 932 643 800

RU: moscow@frontmatec.com
Phone: +7 495 424 9559

US: kansascity@frontmatec.com
Phone: +1 816 891 2440