

## AFTER SALES // HOW TO

# HOW TO ENSURE A PRECISE CUT OF THE BREASTBONE AND BELLY ON YOUR AUTOLINE CARCASS OPENER APO7 / OMEGA

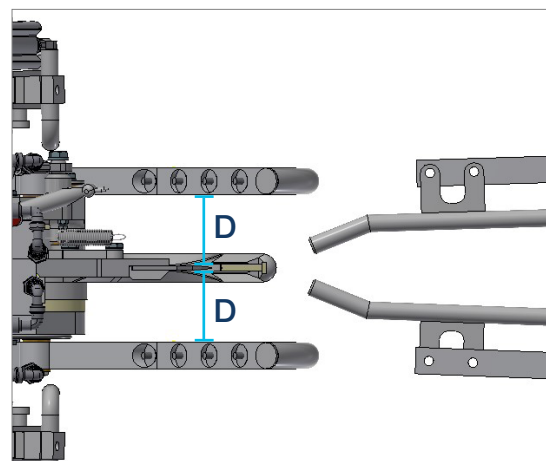
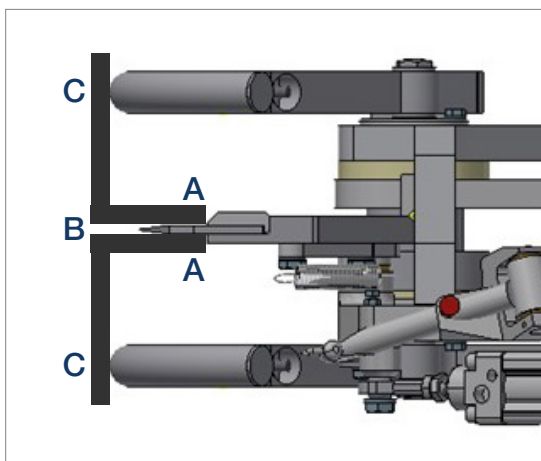
*Following procedure must be performed weekly.*

### In-and-Out measurement of breastbow guides

1. Place your angle on the fixpoint of the knife - **position A**
2. Lean the angle along the knife and on the fixpoint on the knife holder, ensuring a fixed position of the angle - **position B**
3. Pull the breastbow guides back to fit the angle and then move the angle to the other side, making sure NOT to move the breastbow
4. Ensure that the distance between the angle and the breastbows are the same on both sides - **position C**
5. If the distance is not the same, give us a call, and we will guide you

### Sideway measurement of the breastbows guides

1. Set your Autoline APO7 / OMEGA on Auto stop
2. Activate the wash position
3. Use a measuring tape and measure from the side of the breastbow to the center of the knife - **position D**
4. The measurement from the side of the breastbow to the center of the knife has to be the same on both sides to ensure a precise cut



## CONTACT

**Southern Europe**  
+34 932 643 800  
as.se@frontmatec.com

**Central/Eastern Europe**  
+49 252 185 070  
as.ce@frontmatec.com

**Northern Europe**  
+45 36 999 099  
as.ne@frontmatec.com

**Poland**  
+48 227 345 551  
as.ce@frontmatec.com

**Western Europe**  
+31 886 294 000  
as.we@frontmatec.com

**Russia**  
+7 495 424 9559  
as.ru@frontmatec.com