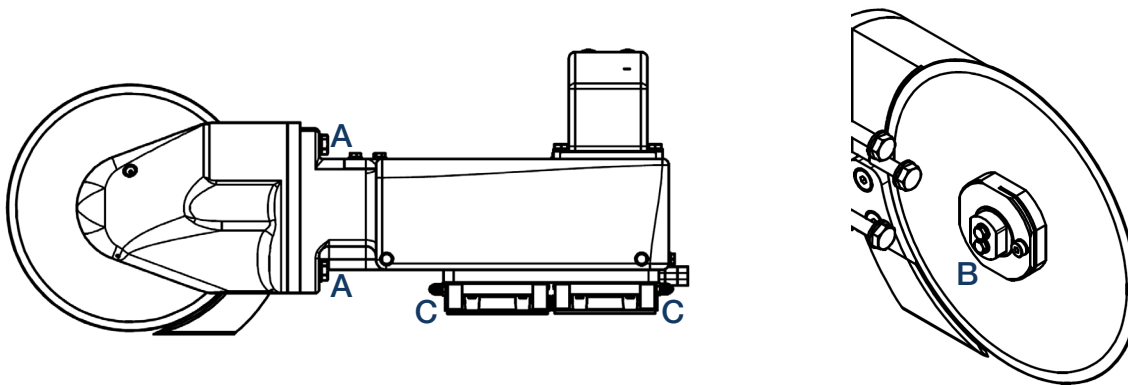


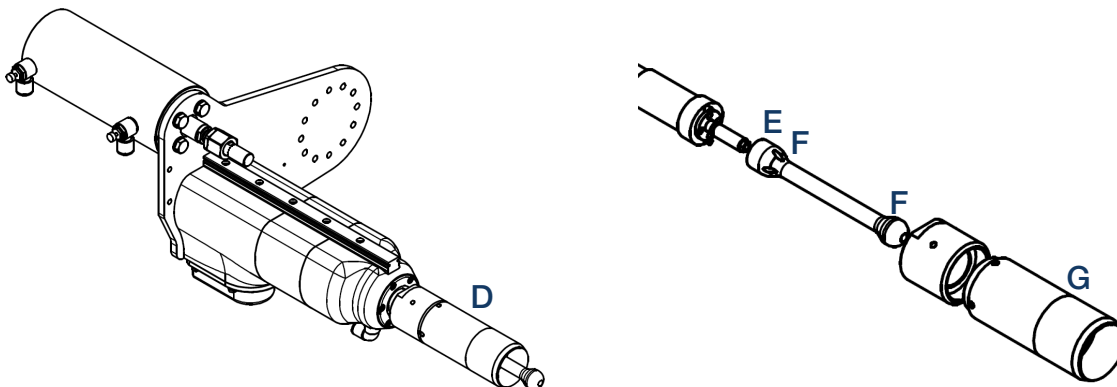
SERVICE SOLUTIONS // HOW TO

HOW TO CHANGE THE BLADES ON YOUR RBDH

1. Dismount the cover of the ham divider - **position A**
2. Change the sawblade for the ham divider, using the special tool - **position B**
3. Remount the cover of the ham divider - **position A**
4. **IMPORTANT** - press grease into the grease nipple of the ham divider and skates - **position C**



5. Dismount the circular hollow knife, using the special tool - **position D**
6. Dismount the mandrill, using the special tool - **position E**
7. Check if all the holes from the vacuum section of the tool are open - **position F**
8. Remount the mandrill, using the special tool - **position E**
9. Mount a new circular hollow knife, using the special tool - **position G**



CONTACT

Central/Eastern Europe
+49 252 185 070
as.ce@frontmatec.com

Northern Europe
+45 36 999 099
as.ne@frontmatec.com

Poland
+48 227 345 551
as.ce@frontmatec.com

Southern Europe
+34 932 643 800
as.se@frontmatec.com

Western Europe
+31 886 294 000
as.we@frontmatec.com